

## HYDRA - AS SERIES

### ARSENIC REMOVAL SYSTEM

#### SERIES OVERVIEW

The Hydra-As is a complete Arsenic removal system. The Hydra-AS comes pre-assembled with a flow totalizer that automatically shuts the system down when the filters need to be changed. It provides safe, effective point of use removal of Arsenic, tastes and odors.

The Hydra-AS unit includes a faucet adapter kit and is available in 2 & 3 bowl configurations. Standard filters include a dual purpose Carbon / KDF filter for the removal of chlorine and organics and the oxidation of bacteria and arsenic. The AF-10-3695, Arsenic Removal filter uses ResinTech's patented ASM-10-HP arsenic removal technology to exceed the EPA requirements of < 10 ppb of As.

Cartridge and Filter Housings are made of FDA approved materials. Filter Housings have been pressure tested to NSF 42 standards.

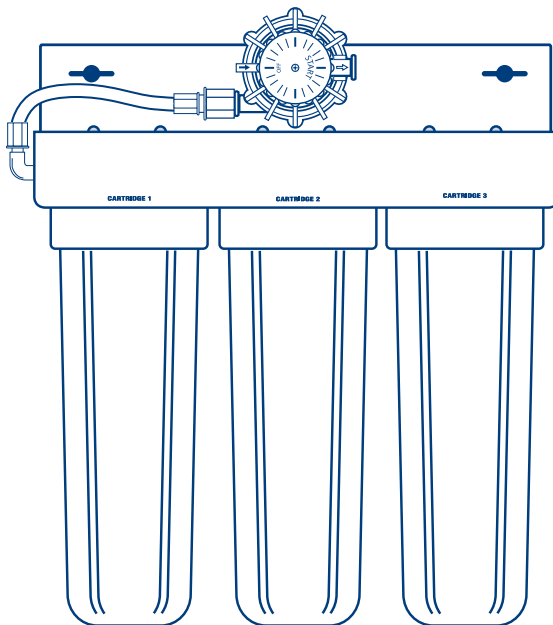
#### FEATURE & BENEFITS

- Meets EPA requirement of <10 ppb of As
- Automatic shut off keeps unit from being overrun
- Pre-assembled with faucet kit
- Available in two and three bowl configurations
- ResinTech ASM-10-HP arsenic removal media
- Carbon / KDF Pretreatment
- Media NSF / ANSI 61 certified
- Made in the USA



- Treats up to 3000 gallons
- Flow Meter / Totalizer
- Meets EPA Limits

#### TECHNICAL DATA



Bowls	
Hydra 110-AS	2
Hydra 111-AS	3
Inlet	1/4" Tube compression
Outlet	1/4" Tube compression
Max Pressure	75 psi
Max. Temp.	100°F
Filter Housing	Polypropylene
Bracket	Painted Steel

# HYDRA - AS SERIES • ARSENIC REMOVAL SYSTEM

## HYDRA AS ARSENIC REMOVAL POU SYSTEM

### Hydra-As Series Pre-Assembled Deionization Systems

PART NUMBER	DESCRIPTION
-------------	-------------

HY-110-AS	Hydra-As 2-stage Arsenic Removal system 2-1/2" diameter (10" Arsenic pretreatment & 10" Arsenic Removal Media)
HY-111-AS	Hydra-As 3-stage Arsenic Removal system 2-1/2" diameter (10" Arsenic pretreatment & (2)10" Arsenic Removal Media)

- Systems include faucet adapter kit

## SPECIFICATIONS

Model	H (in.)	W (in.)	D (in.)	Bowl Dia. (in.)	Flow (gpm)	Total Capacity (Grains as CaCO <sub>3</sub> )
Hydra 110-As	14	13	6	2-1/2"	0.5	1,500
Hydra 111-As	14	20	6	2-1/2"	0.5	3,000

## INFLUENT WATER QUALITY GUIDELINES

Rated Performance for Potable Water *			
Arsenic **	< 50 ppb	Sulfate	< 100 ppm
Conductivity	< 1000 micromhos / cm	Phosphate	< 5ppm
pH	6.0 - 8.0	Chlorine	< 0.3 ppm
Silica	< 10 ppm	Turbidity	5 NTU

\* For detailed performance ratings, contact factory with complete water analysis.

\*\* Capacity based on Arsenic V (As<sup>v</sup>)

## CARTRIDGE REPLACEMENT

Cartridges must be replaced as a set to ensure safe and reliable operation. Cartridge replacement occurs at flow totalizer set point or every 6 months, whichever occurs first. Review local regulations and consult with local authorities on the best method of cartridge disposal.

### Hydra-As Series Replacement Cartridges

PART NUMBER	DESCRIPTION
-------------	-------------

HYK-003	Cartridge Replacement Kit for HY-111-AS (10" Arsenic pretreatment, and (2) Arsenic Removal Cartridges)
HYK-004	Cartridge Replacement Kit for HY-110-AS (10" Arsenic pretreatment, and (1) Arsenic Removal Cartridge)

## NOTES

Note: Ordering information subject to change without notice. Please verify all specifications prior to ordering.  
For more information Call: (856) 626-1550.

**IMPORTANT NOTICE TO USER:**

DS-HYDRA AS 1.1

The following is made in lieu of all other warranties expressed or implied. Manufacturer's and Seller's only obligation shall be to issue credit against the purchase or replacement of the equipment proved to be defective in material or workmanship. Neither Manufacturer nor Seller shall be liable for any injury, loss or damage, direct or indirect, special or consequential, arising out of the use of, misuse, or the inability to use such product. The information contained herein is based on technical data and tests which we believe to be reliable and is intended for use by persons having technical skill at their discretion and risk. Since conditions of use are outside ResinTech's control, we can assume no liability whatsoever for results obtained or damages incurred through the application of the data presented. This information is not intended as a license to operate under, or a recommendation to infringe upon, any patent of ResinTech's or others covering any material or use. The foregoing may not be altered except by written agreement signed by officers of the manufacturer.